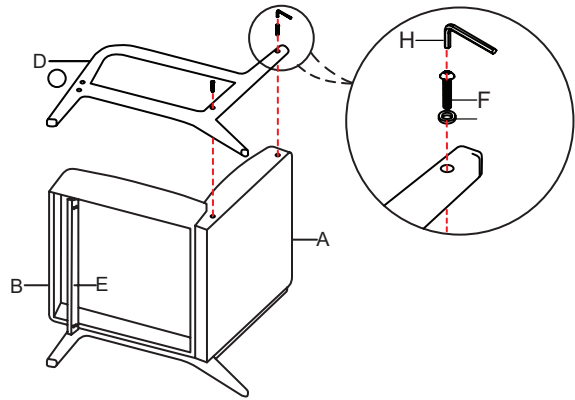
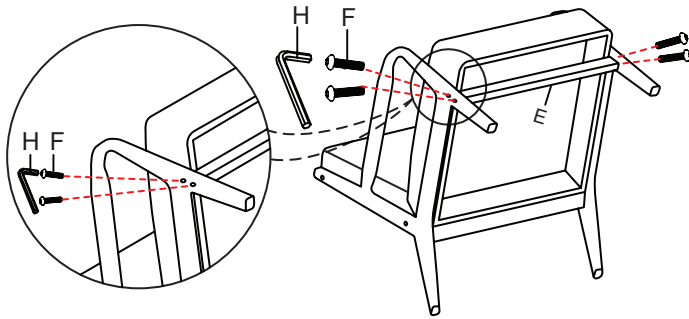


### STEP 3



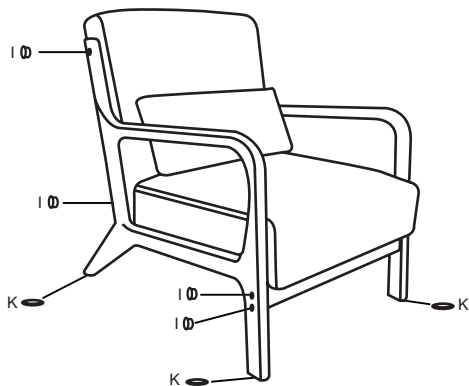
### STEP 4

Tighten Bolts (F) through the Front Stretcher (E) to the Right Arm/Leg (D) and Left Arm/Leg (C).

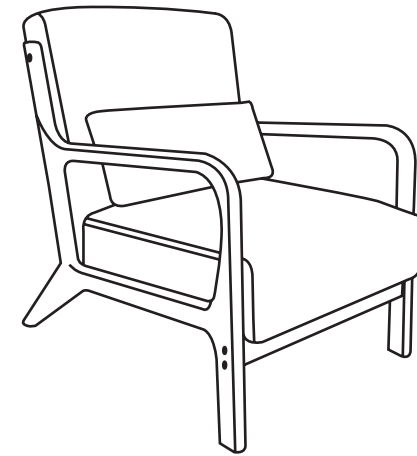


### STEP 5

Ensure all bolts are securely tightened, then insert Screw Hole Covers where needed and place Floor Protectors on the feet.



FABRIC CONTENT  
MAIN FABRIC 100% POLYESTER  
OTHER FABRIC (VISIBLE)  
NON-WOVEN FABRIC 100% POLYESTER



## KY391 CHAIR STATIC

Thank you for your purchase. The following care instructions will allow you to make the most of your chair; helping to prolong the look and life of it by preventing wear and damage.

### IMPORTANT INFORMATION

**PLEASE ENSURE YOU READ THIS LEAFLET BEFORE USING YOUR CHAIR. DO NOT DISCARD OF ANY PACKAGING UNTIL YOU HAVE CHECKED THE PRODUCT THOROUGHLY.**

### CARING FOR YOUR CHAIR

- Pre-brush fabric with a soft brush and then gently vacuum.
- Plump any accent/removable cushions regularly to prevent them becoming mis-shaped or flat.
- Use a microfibre cloth to remove dust from wooden surfaces.
- In the event of a spill or stain, use specialist upholstery cleaner or cleaning services.

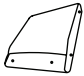



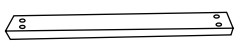
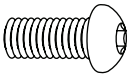
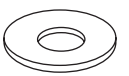
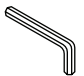
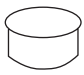


### SUNLIGHT AND HEAT DAMAGE

- Avoid contact with direct sunlight. If needed move items or change their position to avoid the same area being exposed to repeated sunlight/heat.
- Do not place your chair close to fire places and/or radiators.
- Hot objects such as mugs/plates can permanently mark the fabric and wood, avoid placing these on the chair

## SAFETY WARNINGS

- Do not allow children or pets to climb or jump on the chair or through the arms.
- Avoid contact with sharp objects such as buckles, toys and jewellery as these can easily snag, tear and/or pull the fabric.
- Avoid the risk of entrapment by using the chair as intended; sitting facing forward on the seat.
- Keep small parts away and out of reach of children and pets.

## PARTS LIST

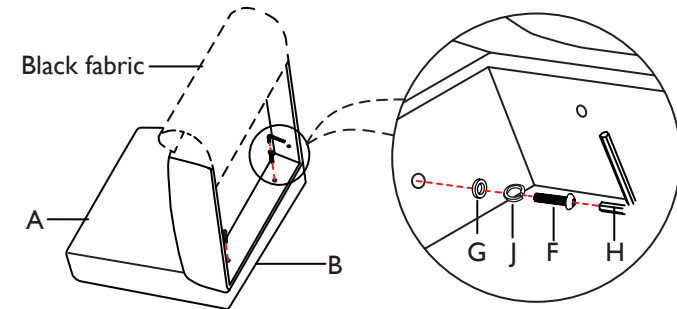
IMAGE	DESCRIPTION	PART NO.	QTY
	Back Cushion	A	1
	Seat Cushion	B	1
	Left Arm/Leg	C	1
	Right Arm/Leg	D	1
	Front Stretcher	E	1
	Bolts	F	10
	Washers	G	2
	Allen Key	H	1
	Screw Hole Covers	I	8
	Spring Washers	J	2
	Floor Protectors	K	4

## ASSEMBLY INSTRUCTIONS

Unpack your chair and check that all the parts on the Parts List are present. If any are missing, please contact the retailer from whom you purchased the product.

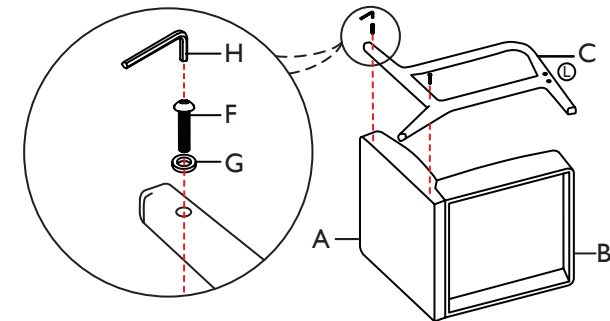
### STEP 1

Assemble your chair on a flat and soft surface to prevent any damage. Open the underneath of the chair and attach the Seat Cushion (B) to the Back Cushion (A).



### STEP 2

Find the Left Arm/Leg (C), this will be labelled with an "L" sticker, and attach it to the Seat Cushion (B) and Back Cushion (A).



### STEP 3

Connect the Front Stretcher (E) to the Left Arm/Leg (C).

**Note:** The screw holes on the Front Stretcher (E) should be face down. Attach the Right Arm (D), labelled with an "R" sticker, to the Front Stretcher (E), Seat Cushion (B) and Back Cushion (A).